

WALLACE WALL HUNG BASIN

Cat. No
4-9120



Faucet not included



Mounting hardware

W: 27-3/8"
D: 13-1/2"
H: 4-3/8"

Interior Dimensions:

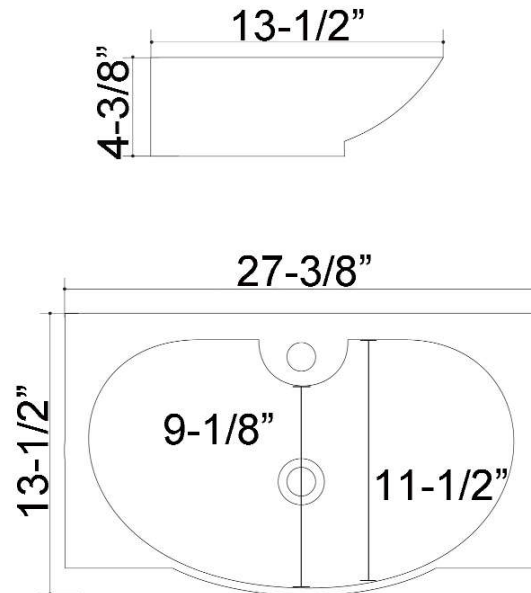
Basin Interior: 25-1/2" x 11-1/2"
Basin Depth: 2-1/2"
Back of basin to center of faucet: 2-1/4"
Back of basin to center of drain: 5-1/2"
Mount holes cc: 11-1/2"
Faucet hole diameter: 1-3/8"

Features:

- ▶ Wall hung basin
- ▶ Made of Vitreous China
- ▶ Pre-drilled with 1-3/8" single faucet hole
- ▶ Mounting hardware included
- ▶ Drain not provided

Colors
WH White

Meets or exceeds the following specifications: ASME A112.19.2 2013 and CSA B45.1-13 for ceramic plumbing fixtures.



Dimensions of fixture are nominal and may vary within the range of tolerances established by ASME Standard A112.19.2.2013. Dimensions and specifications subject to change without notice.